

LED Panel

5
year
warranty

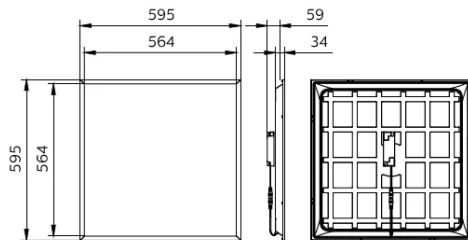
Product features:

- Available in 600x600 TPa & TPb, 1200x300 TPa, 1200x600 TPb
- Trusted performance: Signify approved driver
- Emergency Plug and Play kit
- DALI conversion kit
- Accessories for plaster, surface-mount, and suspension available

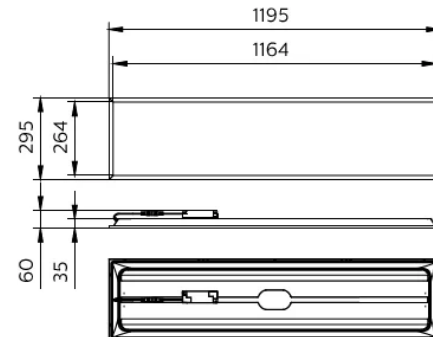
| Item | Part Number | 12NC | Wattage | Lumens | Efficacy | CCT |
|---|----------------|--------------|---------|--------|----------|-------|
| ECOLINK PNL 6X6 34W 840 TPb | ECOPN6X6-4K | 911401860484 | 34W | 3400lm | 100lm/W | 4000K |
| ECOLINK PNL 6X6 34W 840 UGR19 TPa | ECOPN6X6-4K-U | 911401860584 | 34W | 3400lm | 100lm/W | 4000K |
| ECOLINK PNL 12X3 34W 840 UGR19 TPa | ECOPN12X3-4K-U | 911401860684 | 34W | 3400lm | 100lm/W | 4000K |
| ECOLINK PNL 12X6 50W 840 TPb | ECOPN12X6-4K | 911401860784 | 50W | 6000lm | 120lm/W | 4000K |
| ECOLINK PNL 12X3 SURFACE KIT | ECOPN12X3SUR | 911401863082 | - | - | - | - |
| ECOLINK PNL 6X6 SURFACE KIT | ECOPN6X6SUR | 911401862982 | - | - | - | - |
| ECOLINK PNL 12X6 SURFACE KIT | ECOPN12X6SUR | 911401864784 | - | - | - | - |
| ECOLINK PNL SUSPENSION KIT | ECOPN-SUSP | 911401824280 | - | - | - | - |
| ECOLINK PNL DALI DRIVER FOR 34W | ECOPN-DALIKIT | 911401897184 | - | - | - | - |
| ECOLINK PNL EM PACK 3HR MANUAL | ECO-E3/MT-PN | 919013004905 | - | 180lm | - | - |

Dimensions:

600 x 600



1200 x 300



1200 x 600

